

ICS MXT and AXT™ OEM Transfer Switches



ICS MXT and AXT series transfer switches are designed to provide reliable power switching for a wide range of applications, including commercial and industrial settings. These transfer switches are designed to seamlessly transfer power between a primary power source and a secondary power source in the event of a power outage or other power interruption.

MXT series transfer switches are manual transfer switches that are easy to install and operate. These switches are ideal for use in commercial and industrial applications where a backup power source is needed to keep essential systems and appliances running during a power outage. The MXT transfer switches are available in a range of sizes up to 600VAC and 1200A (NEMA) or 3200A (IEC) - Fused/Non-Fused & 600VAC - 5000A for Breaker Type.

AXT series transfer switches are automatic transfer switches that are designed for more demanding applications, such as commercial and industrial settings. These switches are designed to automatically transfer power between a primary and secondary power source in the event of a power outage, ensuring that critical systems and equipment remain operational. The AXT transfer switches are available in a range of sizes and configurations up to 600V and 1200A (NEMA) or 3200A (IEC)

Whether you need a manual or automatic transfer switch, the ICS MXT and AXT series transfer switches are designed to provide reliable and efficient power switching for all of your backup power needs. We are confident that you will find our transfer switches to be easy to install, operate, and maintain, and we look forward to helping you keep your power systems running smoothly.



The ICS MXT and AXT transfer switches are designed for use in a variety of applications, including:

1. **Data Centers:** These transfer switches are ideal for use in data centers, where uninterrupted power supply is crucial. They can switch between utility and backup power sources seamlessly, ensuring that critical IT equipment stays up and running.
2. **Hospitals:** In healthcare facilities, power outages can be life-threatening. The ICS MXT and AXT transfer switches can provide reliable backup power to medical equipment, ensuring that patients receive the care they need.
3. **Industrial Facilities:** In industrial settings, power interruptions can cause costly downtime and damage to equipment. These transfer switches can provide backup power to critical machinery, minimizing the impact of power outages.
4. **Commercial Buildings:** In office buildings, retail spaces, and other commercial settings, power outages can lead to lost productivity and revenue. The ICS MXT and AXT transfer switches can provide reliable backup power to keep businesses running smoothly.
5. **Telecommunications:** In the telecommunications industry, uninterrupted power supply is crucial for maintaining network connectivity. These transfer switches can provide backup power to telecom equipment, ensuring that customers stay connected.

ICS MXT and AXT™

OEM Transfer Switches

PART NUMBER BUILDER

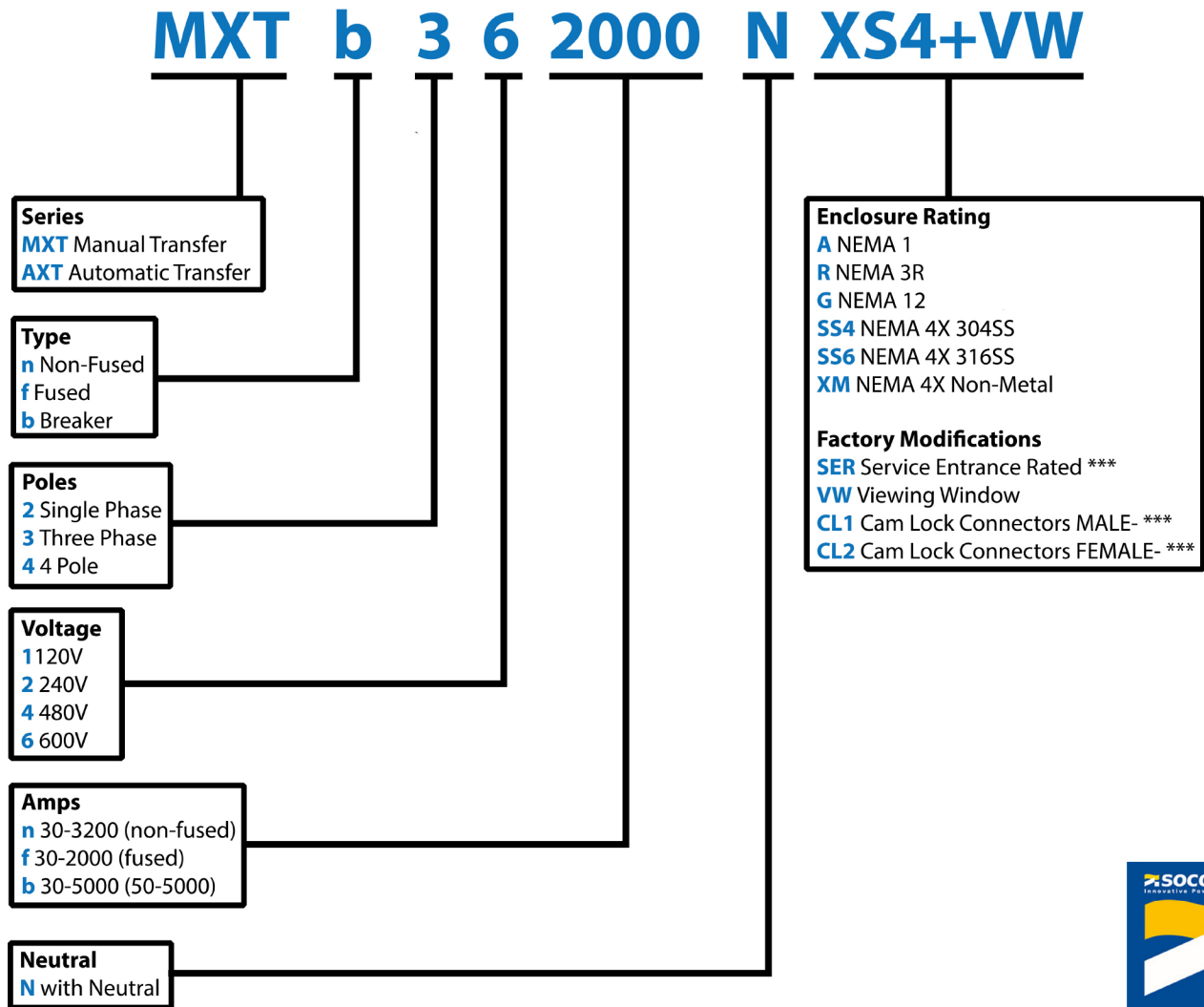
ICS MXT/AXT Series

Example: MXT b 3 6 2000 N X4+VW

- MXT- Manual Transfer
- b- Breaker-Type
- 3- Three Pole
- 6- 600V
- 2000- 2000 Amp
- N- with Neutral
- X4+VW- NEMA 4X 304SS & Viewing Window



INTEGRATED
CIRCUIT SOLUTIONS



CORRECT VOLTAGE MUST BE SPECIFIED IN ORDER TO MATCH WITH EXISTING SERVICE/GENERATOR

AVAILABLE ONLY IN CERTAIN CONFIGURATIONS-CONSULT FACTORY

MUST SPECIFY TOP, BOTTOM, SIDE. DRAWINGS AVAILABLE UPON REQUEST OR ARO