

iEXLC/iEXCLC Explosion Proof Lighting Contactors

- CLASSIFICATIONS
- Cl. I, Div. 1 & 2
- Cl. I, Zone 1 & 2
- Cl. II, Div. 1
- Cl. II, Div. 2



**ASK US ABOUT OUR 2 DAY
TURN AROUND PROGRAM!**

iEXLC/iEXCLC Lighting Contactors by ICS:

- Our iEXLC/iEXCLC series enclosed lighting contactors are designed for areas requiring variable lighting control utilizing manual on/off or automatic settings
- Photocell option designed for field installation and location allows for maximized energy conservation using natural sunlight
- Modular and Standard Lighting contactor configuration allows for a broad range of design options to meet any field specifications
- Lighting contacts are electrically held for superior performance
- Poles can be converted from N.O. to N.C. in production or in the field

Standard configurations:

- Crouse Hinds ECP enclosure with mounting plate, hinges, and breather/drain installed
- Coated steel cover bolts
- Tap-in mounting feet offer simple and secure installation and are easily replaceable
- Neoprene cover gasket for specific NEMA requirements
- Aluminum Hinges for corrosion resistance
- Copper Free AL Enclosure Body and Cover
- Conduit Entries drilled and tapped to customer specification



iEXLC/iEXCLC- Optional Configurations (*add suffix*):

- Stainless Steel Cover Bolts/Hinges- ***S6CB/H***
- Over-Sized Enclosure for future provisions- ***ENCL+***
- Crouse Hinds EJB enclosure- ***EJB***
- Viewing Window Kit- ***VW***
- Additional Cover Control Holes w/ plugs- ***CCP***

iEXLC/iEXCLC

Non Combination and Combination Lighting Contactors

- CLASSIFICATIONS**
- Cl. I, Div. 1 & 2
 - Cl. I, Zone 1 & 2
 - Cl. II, Div. 1
 - Cl. II, Div. 2
 - NEMA 3, 3R, 4, 4X, 7BCD, 9EFG

PART NUMBER BUILDER

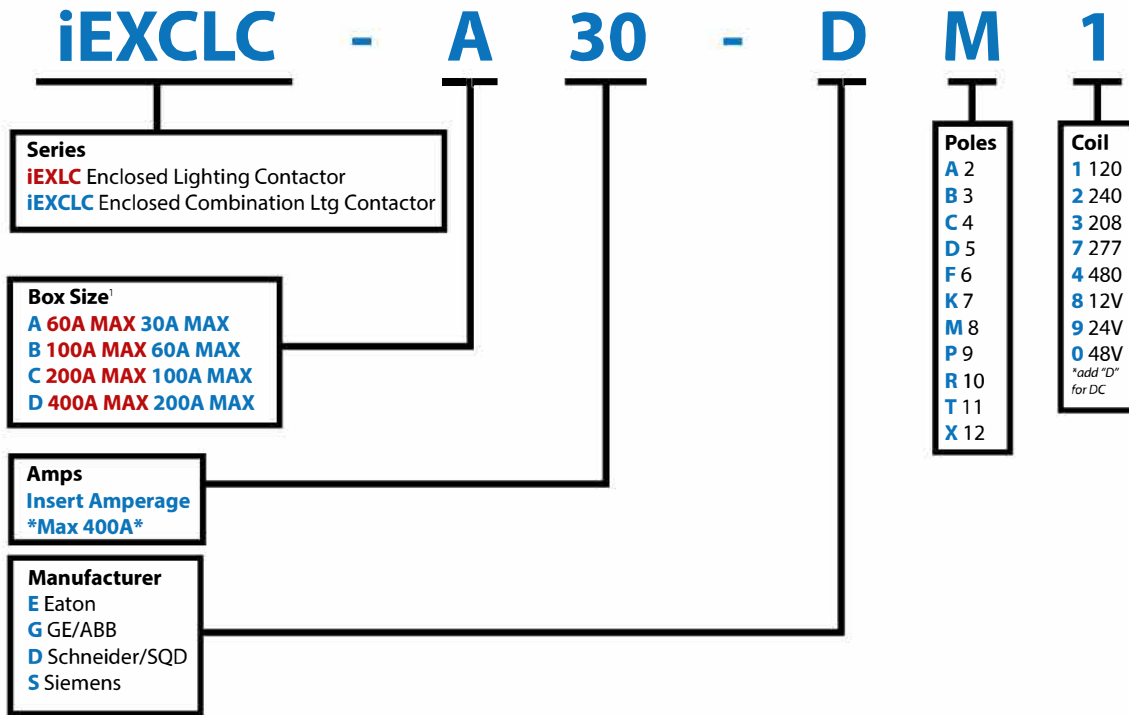
iEXLC/iEXCLC

Example: iEXCLC-A30-DM1-R1/G1/T3-BD*A01*PCA

- Class 1, Division 2 Combination Lighting Contactor
- Box Size A(30A MAX)
- 30A Breaker
- Square D Lighting Contactor
- 8 Pole
- 120V Coil



INTEGRATED
CIRCUIT SOLUTIONS



Box size max amperage varies between combination or non-combination contactors

*non-combination max amps shown in **RED**

*combination max amps shown in **BLUE**

iEXLC/iEXCLC

Non Combination and Combination Lighting Contactors

- CLASSIFICATIONS**
- Cl. I, Div. 1 & 2
 - Cl. I, Zone 1 & 2
 - Cl. II, Div. 1
 - Cl. II, Div. 2
 - NEMA 3, 3R, 4, 4X, 7BCD, 9EFG

PART NUMBER BUILDER

iEXLC/iEXCLC

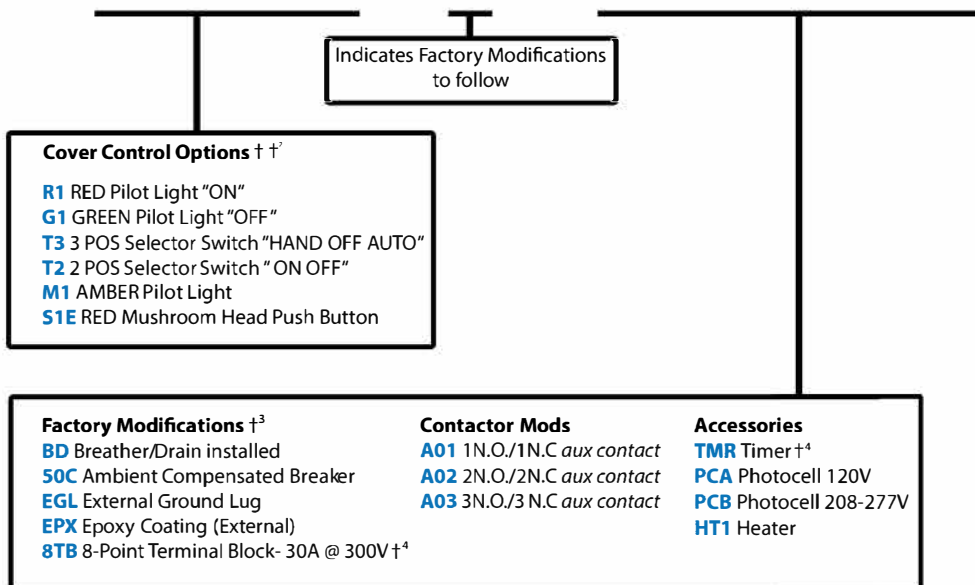
Example: iEXCLC-A30-DM1-R1/G1/T3-BD*A01*PCA

- Class 1, Division 2 Combination Lighting Contactor
- Box Size A(30A MAX)
- 30A Breaker
- Square D Lighting Contactor
- 8 Pole
- 120V Coil



INTEGRATED
CIRCUIT SOLUTIONS

R1/G1/T3 - BD*A01*PCA



† MULTIPLE COVER CONTROLS MUST BE SEPARATED BY "/"
 †² DEFAULT LEGEND PLATES SHOWN- Consult with factory for custom legend plates
 †³ Multiple factory mods must be separated by asterisks "***"
 †⁴ 8TB and TMR may require a larger enclosure