

# iEXLC/iEXCLC

## Explosion Proof Lighting Contactors

- CLASSIFICATIONS
- Cl. I, Div. 1 & 2
- Cl. I, Zone 1 & 2
- Cl. II, Div. 1
- Cl. II, Div. 2

### iEXLC/iEXCLC Lighting Contactors by ICS:

- Our iEXLC/iEXCLC series enclosed lighting contactors are designed for areas requiring variable lighting control utilizing manual on/off or automatic settings
- Photocell option designed for field installation and location allows for maximized energy conservation using natural sunlight
- Modular and Standard Lighting contactor configuration allows for a broad range of design options to meet any field specifications
- Lighting contacts are electrically held for superior performance
- Poles can be converted from N.O. to N.C. in production or in the field

### Standard configurations:

- Crouse Hinds ECP enclosure with mounting plate, hinges, and breather/drain installed
- Coated steel cover bolts
- Tap-in mounting feet offer simple and secure installation and are easily replaceable
- Neoprene cover gasket for specific NEMA requirements
- Aluminum Hinges for corrosion resistance
- Copper Free AL Enclosure Body and Cover
- Conduit Entries drilled and tapped to customer specification

**ASK US ABOUT OUR 2 DAY  
TURN AROUND PROGRAM!**



### iEXLC/iEXCLC- Optional Configurations (\*add suffix\*):

- Stainless Steel Cover Bolts/Hinges- \*S6CB/H\*
- Over-Sized Enclosure for future provisions- \*ENCL+\*
- Crouse Hinds EJB enclosure- \*EJB\*
- Viewing Window Kit- \*VW\*
- Additional Cover Control Holes w/ plugs- \*CCP\*

# iEXLC/iEXCLC

## Non Combination and Combination Lighting Contactors

- CLASSIFICATIONS**
- Cl. I, Div. 1 & 2
  - Cl. I, Zone 1 & 2
  - Cl. II, Div. 1
  - Cl. II, Div. 2
  - NEMA 3, 3R, 4, 4X, 7BCD, 9EFG

### PART NUMBER BUILDER

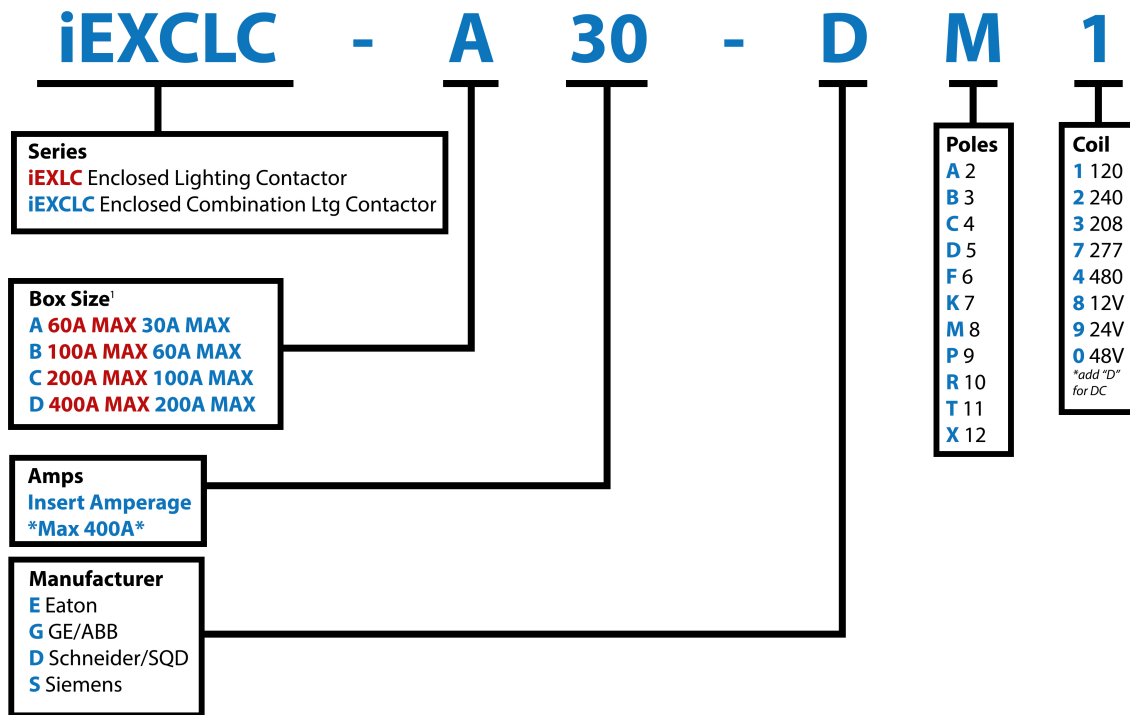
## iEXLC/iEXCLC

Example: iEXCLC-A30-DM1-R1/G1/T3-BD\*A01\*PCA

- Class 1, Division 2 Combination Lighting Contactor
- Box Size A(30A MAX)
- 30A Breaker
- Square D Lighting Contactor
- 8 Pole
- 120V Coil



**INTEGRATED**  
CIRCUIT SOLUTIONS



Box size max amperage varies between combination or non-combination contactors

\*non-combination max amps shown in **RED**

\*combination max amps shown in **BLUE**

# iEXLC/iEXCLC

## Non Combination and Combination Lighting Contactors

- CLASSIFICATIONS**
- Cl. I, Div. 1 & 2
  - Cl. I, Zone 1 & 2
  - Cl. II, Div. 1
  - Cl. II, Div. 2
  - NEMA 3, 3R, 4, 4X, 7BCD, 9EFG

### PART NUMBER BUILDER

## iEXLC/iEXCLC

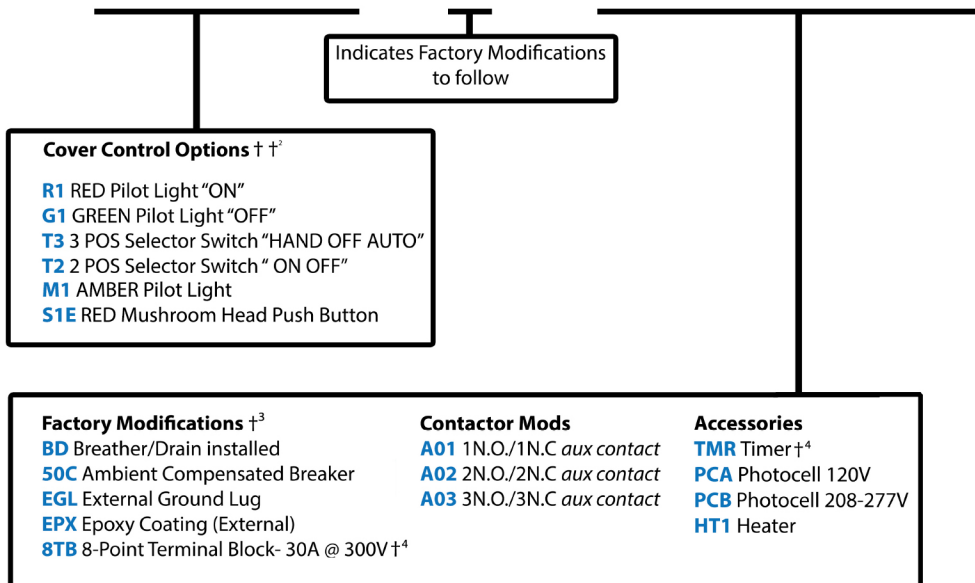
Example: iEXCLC-A30-DM1-R1/G1/T3-BD\*A01\*PCA

- Class 1, Division 2 Combination Lighting Contactor
- Box Size A(30A MAX)
- 30A Breaker
- Square D Lighting Contactor
- 8 Pole
- 120V Coil



**INTEGRATED**  
CIRCUIT SOLUTIONS

**R1/G1/T3 - BD\*A01\*PCA**



† MULTIPLE COVER CONTROLS MUST BE SEPARATED BY "/"  
 ‡ DEFAULT LEGEND PLATES SHOWN- Consult with factory for custom legend plates  
 †³ Multiple factory mods must be separated by asterisks "\*\*\*"  
 †⁴ 8TB and TMR may require a larger enclosure