

iEXMS/iEXCS

COMBINATION & NON COMBINATION STARTERS

- CLASSIFICATIONS

- Cl. I, Div. 1 & 2
- Cl. I, Zone 1 & 2
- Cl. II, Div. 1
- Cl. II, Div. 2
- NEMA 3, 3R, 4, 4X, 7BCD, 9EFG

iEXMS/iEXCS Combination Starters by ICS

Our iEXMS/iEXCS Series Combination Starters are extremely flexible with multiple ordering options available. Each build offers customizable door controls, optional disconnect types, and multiple starter configurations to cover virtually all hazardous control system needs. The iEXMS/iEXCS Series provides users with full-function, turnkey motor control solution at a fraction of the cost.

iEXCS- Standard Materials and Finishes:

- Body, cover and handle – copper-free aluminum
- Gasket – neoprene
- Cover bolts and hinges – stainless steel

Field flexibility

- Factory-machined drilled + tapped entries up to three inches in diameter
- UL/cUL certified for field addition of drilled and tapped entries on sides, top, bottom, or back of the enclosure
- Bolt-on/tap-in mounting feet allow for easy field replacement
- ATEX/IECEX certified enclosure option for use in global applications

ASK US ABOUT OUR 2-DAY-TURNAROUND PROGRAM



Applications

Hazardous motor control environments, including refineries, chemical and petrochemical plants, corrosive process facilities, food and beverage, marine and mining. Across-the-line starting and stopping of polyphase AC induction motors with bi-metallic and optional solid state overload protection.

iEXMS/iEXCS COMBINATION & NON COMBINATION STARTERS

- CLASSIFICATIONS**
- Cl. I, Div. 1 & 2
 - Cl. I, Zone 1 & 2
 - Cl. II, Div. 1
 - Cl. II, Div. 2
 - NEMA 3, 3R, 4, 4X, 7BCD, 9EFG

PART NUMBER BUILDER

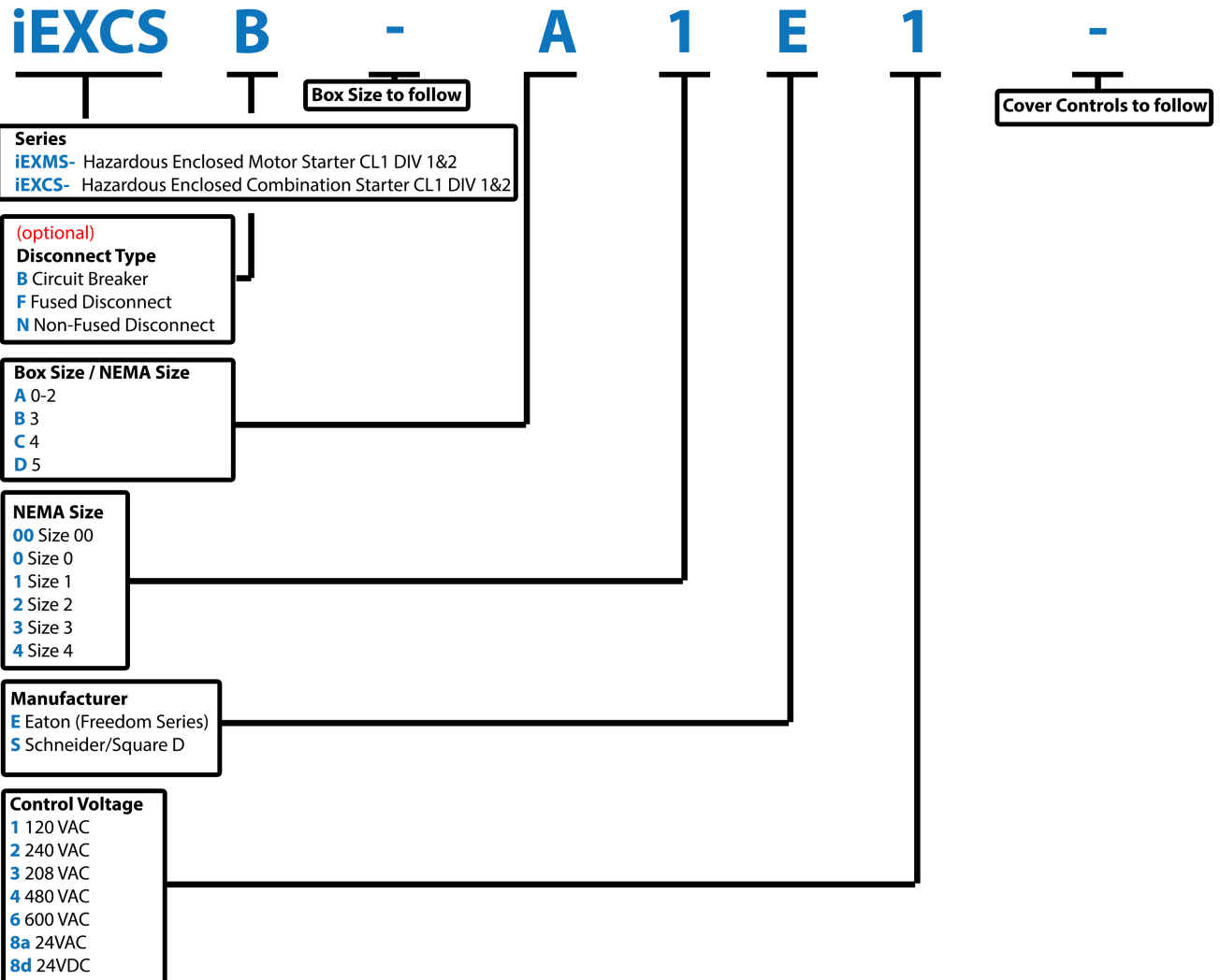
iEXMS/iEXCS Series

Example: iEXCSB-A1E1-S1/S3/T3-BD*A01*C01

- Class 1, Division 2 Combination Starter
- Breaker Type
- Box Size "A" (Size 1)
- Eaton Freedom Series
- 120 V Control
-



**INTEGRATED
CIRCUIT SOLUTIONS**



iEXMS/iEXCS COMBINATION & NON COMBINATION STARTERS

- CLASSIFICATIONS**
- Cl. I, Div. 1 & 2
 - Cl. I, Zone 1 & 2
 - Cl. II, Div. 1
 - Cl. II, Div. 2
 - NEMA 3, 3R, 4, 4X, 7BCD, 9EFG

PART NUMBER BUILDER

iEXMS/iEXCS Series

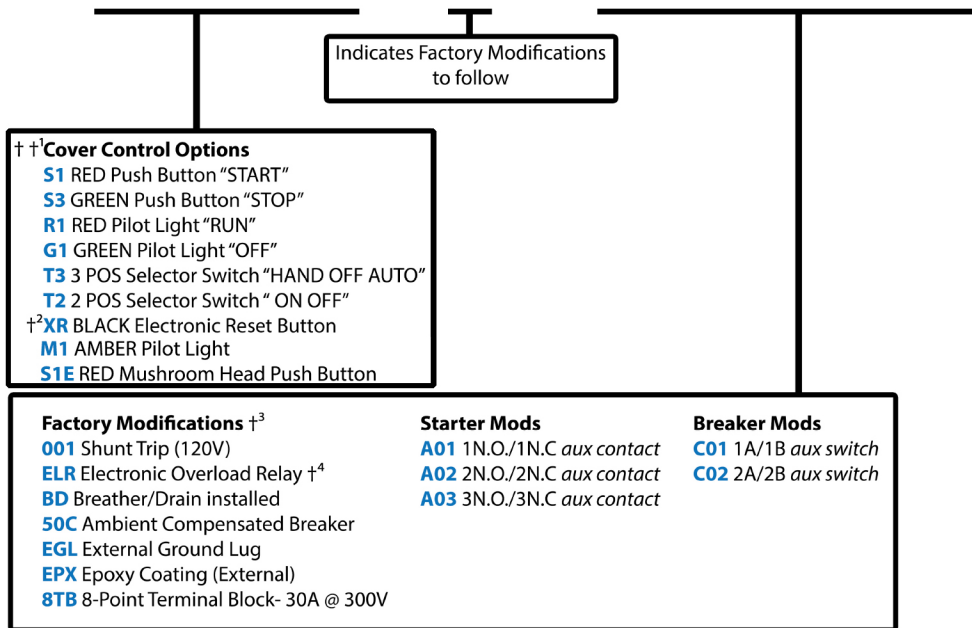
Example: iEXCSB-A1E1-S1/S3/T3-BD*A01*C01

- Class 1, Division 2 Combination Starter
- Breaker Type
- Box Size "A" (Size 1)
- Eaton Freedom Series
- 120 V Control



**INTEGRATED
CIRCUIT SOLUTIONS**

S1/S3/T3 - BD*A01*C01



† MULTIPLE COVER CONTROLS MUST BE SEPARATED BY "/"

†¹ DEFAULT LEGEND PLATES SHOWN- Consult with factory for custom legend plates

†² XR denotes electronic reset button- only available on starters with electronic overload relays. Standard offer-"plunger" type reset for starters with bi-metallic overload relays

†³ Multiple factory mods must be separated by asterisks "**"

†⁴ Must include FLA of motor. Consult with factory for assistance calculating your motor's FLA.